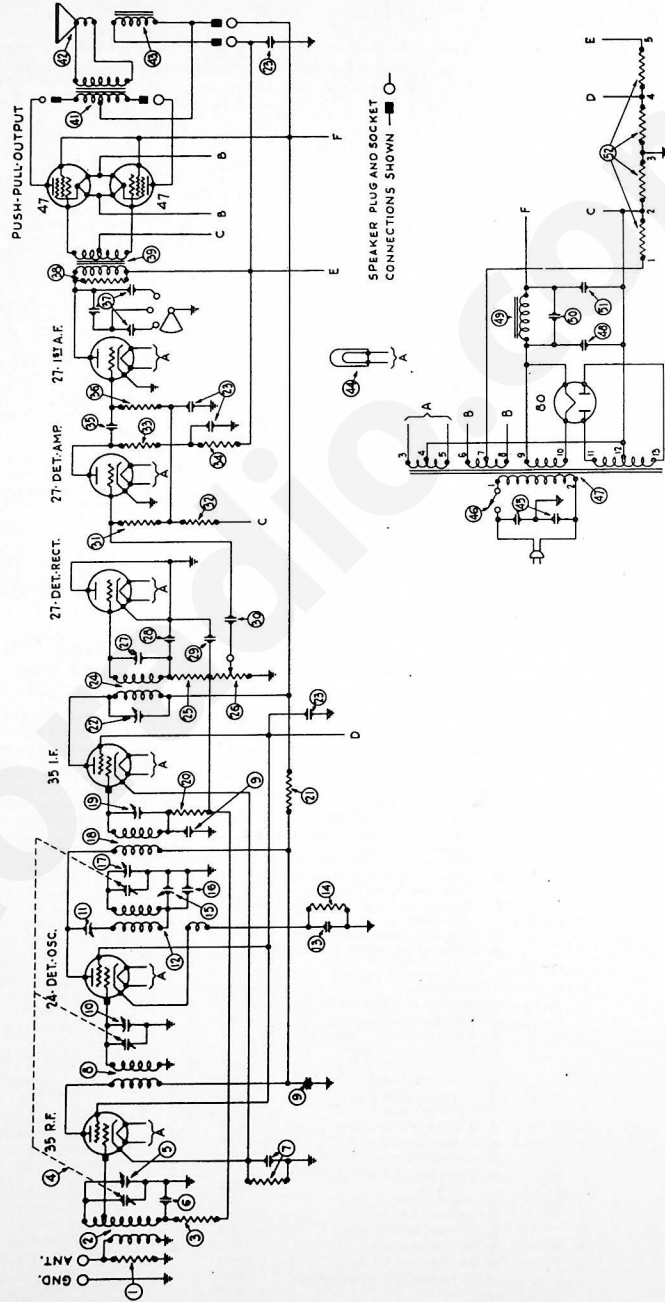
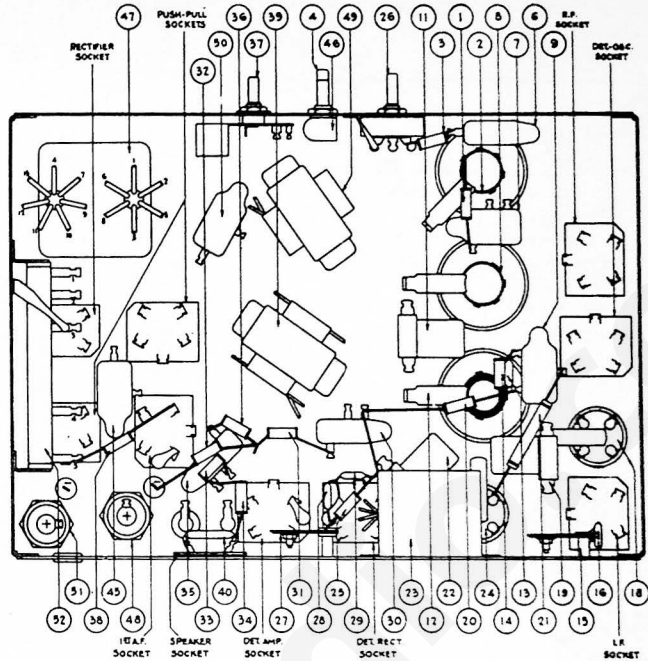


# MODEL 90

WITH 2- TYPE 47 TUBES  
SERIAL NO. 32,001 TO B35,000  
AND ABOVE B53,100



**MODEL 90**  
 WITH 2- TYPE 47 TUBES  
 SERIAL No. 32.001 TO B35.000 AND ABOVE B53.100



**MODEL 90 REPLACEMENT PARTS**

No. on Figs. 1 and 2	Description	Part No.
①	Resistor (10,000 Ohms) . . . . .	4412
②	Antenna Transformer . . . . .	04317
③	Resistor (1,000,000 Ohms) . . . . .	4409
④	Tuning Condenser (50-80 cycles) . . . . .	04309
⑤	Tuning Condenser (25-40 cycles) . . . . .	04310
⑥	Compensating Condenser — Antenna — Part of Tuning Condenser Assembly	
⑦	Condenser (.05 Mfd.) . . . . .	3615-L
⑧	Condenser (.09 Mfd. and 200 Ohm Resistor) . . . . .	4989-L
⑨	Detector Transformer . . . . .	04408
⑩	Condenser (.09 Mfd.) . . . . .	3615-AJ
⑪	Compensating Condenser — Detector — Part of Tuning Condenser Assembly	
⑫	Compensating Condenser—Coupling . . . . .	04000-M
⑬	Oscillator Coil . . . . .	04409
⑭	Condenser (700 Mmf.) . . . . .	4520
⑮	Resistor (15,000 Ohms) . . . . .	8208
⑯	Compensating Condenser—Low Frequency . . . . .	04000-B
⑰	Condenser (410 Mfd.) . . . . .	5120
⑱	Compensating Condenser — High Frequency—Part of Tuning Condenser Assembly	
⑲	First I.F. Transformer . . . . .	04319
⑳	Compensating Condenser—First I.F. . . . .	04000-M
㉑	Resistor (1,000,000 Ohms) . . . . .	4409
㉒	Resistor (1,000 Ohms) . . . . .	4590
㉓	Compensating Condenser—Second I.F. Primary . . . . .	04000-M
㉔	Condenser (2-.25, 2-.5 Mfd.) . . . . .	04407
㉕	Second I.F. Transformer . . . . .	04320
㉖	Resistor (99,000 Ohms) . . . . .	4411
㉗	Volume Control . . . . .	6015
㉘	Compensating Condenser (Second I.F. Secondary) . . . . .	04000-M
㉙	Condenser (110 Mmf.) . . . . .	4519
㉚	Condenser (110 Mmf.) . . . . .	4519
㉛	Condenser (.01 Mfd.) . . . . .	3903-N
㉜	Resistor (1,000,000 Ohms) . . . . .	4517
㉝	Resistor (490,000 Ohms) . . . . .	4516

No. on Figs. 1 and 2	Description	Part No.
㉞	Resistor (25,000 Ohms) . . . . .	4409
㉟	Resistor (25,000 Ohms) . . . . .	4409
㊱	Condenser (.01 Mfd.) . . . . .	3903-X
㊲	Resistor (1,000,000 Ohms) . . . . .	4409
㊳	Tone Control . . . . .	03137
㊴	Resistor (51,000 Ohms) . . . . .	4515
㊵	Push-Pull Input Transformer . . . . .	6064
㊶	Condenser (1,000 Mmf.) * . . . . .	5215
㊷	Push-Pull Output Transformer . . . . .	2635
㊸	Voice Coil and Cone Assembly . . . . .	02874
㊹	Speaker Field Assembled with Pot . . . . .	02892
㊺	Pilot Light . . . . .	3463
㊻	Condenser (.015 Mfd. Double) . . . . .	3798-E
㊼	On-Off Switch . . . . .	4065
㊽	Power Transformer (50-80 cycles) . . . . .	6072
㊾	Power Transformer (25-40 cycles) . . . . .	6073
㊿	Power Transformer (50-80 cycles, 230 volts) . . . . .	6074
Ⓚ	Electrolytic Condenser (6 Mfd.) 50-80 cycles . . . . .	4916
Ⓛ	Filter Choke . . . . .	4919
Ⓜ	Condenser (.15 Mfd.) . . . . .	6287-B
Ⓨ	Condenser (6 Mfd.) . . . . .	4916
Ⓩ	B. C. Resistor . . . . .	6071
ⓐ	Tube Shield . . . . .	04311
ⓑ	Knob (Large) . . . . .	03063
ⓓ	Knob (Small) . . . . .	03064
ⓔ	Knob (Switch) . . . . .	08437
ⓖ	Knob Spring (Large) . . . . .	5262
ⓗ	Knob Spring (Small) . . . . .	4147
ⓙ	Grid Clip . . . . .	4967
ⓚ	Two-Prong Socket Assembly . . . . .	4966
ⓛ	Four-Prong Socket Assembly . . . . .	5086
ⓜ	Dial Complete . . . . .	08081
ⓞ	Bezel . . . . .	5311
ⓟ	Chassis Mounting Screw (2 Used) . . . . .	W-864
ⓠ	Chassis Mounting Screw (2 Used) . . . . .	W-567
ⓡ	Mounting Washer . . . . .	5068
ⓢ	Rubber Washer . . . . .	5189

\* This item omitted on later production.